

Granette Setts™ Heritage™ Series

The seven (7) asymmetrically shaped Granette Setts™ stones have indeed brought European flair to concrete paving like never before. Random pattern installations bestow the illusion of a true old world cobble stone pavement. From garden paths to terrace decks to plazas - the multiplicity of shapes, soft textures and rumped edges endow a historic and natural elegance in paving materials.

COMPOSITION AND MANUFACTURE

Granette Setts™ is made from a "no slump" concrete mix. Made under extreme pressure and high frequency vibrations, Granette Setts™ has a compressive strength greater than 8000psi, a water absorption maximum of 5% and will meet or exceed ASTM C-936 and freeze-thaw testing per Section 8 of ASTM C-67. Heritage™ Series may not comply with ASTM C-67 freeze-thaw durability.

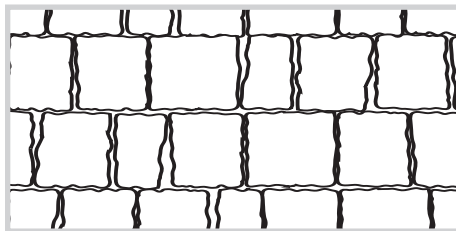
INSTALLATION

1. Excavate unsuitable, unstable or unconsolidated subgrade material and compact the area which has been cleared. Backfill and level with dense graded aggregate suitable for base material (typically 4 in. of compacted base for pedestrian traffic) or as otherwise directed by Site Engineer/Architect/Landscape Architect.
2. Place bedding course of washed sand conforming to the grading requirements of ASTM C-33 to a uniform depth of 1-1½ in. (25-38mm) screeded to the grade and profile required.
3. Install Granette Setts™ with joints approximately ½ in. (13mm).
4. Where required, cut pave stones with an approved cutting device to fit accurately, neatly and without damaged edges.
5. Tamp pave stones with a plate compactor, uniformly level, true to grade and free of movement.
6. Spread sand to ⅛ in. (3 mm) thickness over entire paving area. Sand joints may require joint sand stabilization.
7. Make one more pass with plate compactor to fill joints with sand.

Complete installation & specification details are available by contacting your Pavestone Sales Representative.

Note: Colors are shown as accurately as possible in brochures & samples, but due to the nature of the product, regional color preferences and variables in print reproduction, colors may not match exactly. For best results in maintaining color consistency, pave stones must be installed from several cubes at a time. Efflorescence, a whitish, powder-like deposit, may appear on concrete pave stones. This is a natural occurrence in any concrete product and will usually wear off over time.

INSTALLATION PATTERN



Granette Setts Runner Bond Pattern

APPLICATIONS








Sidewalks • Garden Pathways • Patios • Esplanades
Medians • Plazas • Terraces • Pool Decks • Gazebos

PRODUCT INFORMATION

Granette Setts™ are produced in a combination of 7 sizes available in 1 thickness, 2 ⅜ inches* = 60mm. Product is packaged to include all shapes, not sold individually.

Granette Setts™ Bundled Together

Nominal Dimensions

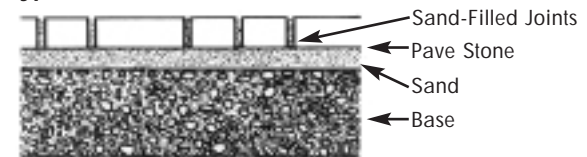
	"A": 3 ⅝" W x 4 ⅞" L 93.8mm x 103.5mm		"E": 3 ⅝" W x 2 ⅞" L 93.4mm x 76.1mm
	"B": 3 ⅝" W x 2 ¾" L 92.8mm x 69.7mm		"F": 3 ¼" W x 3 ¾" L 82.3mm x 94.1mm
	"C": 3 ⅝" W x 2 ⅞" L 91.5mm x 58.5mm		"G": 3 ⅝" W x 3 ¼" L 92.8mm x 82.4mm
	"D": 3 ⅝" W x 3 ⅞" L 93.6mm x 84.6mm		

Total Stones/Pallet	1,120 (160 of each size)
Total Approx. Wt./Pallet	2,660 lbs.
Total Sq. ft./Pallet	95
Product Number	405

*Fractional dimensions are nominal.

Granette Setts™ Heritage™ Series is sold on pallets or in bags. There is approximately the same square feet/pallet in each bagged product after tumbling. Packaging may vary from plant to plant. Contact your Pavestone Co. manufacturer for packaging details.

Typical Cross Section Of Concrete Pave Stone Installation



PAVESTONE
Improving Your Landscape™
www.pavestone.com

- Atlanta, GA: (770) 306-9691
- Austin/San Antonio, TX: (512) 558-7283
- Boston, MA: (508) 947-6001
- Cartersville, GA: (770) 607-3345
- Charlotte, NC: (704) 588-4747
- Cincinnati, OH: (513) 474-3783
- Colorado Springs, CO: (719) 322-0101
- Dallas/Ft. Worth, TX: (817) 481-5802
- Denver, CO: (303) 287-3700
- Hagerstown, MD: (240) 420-3780

- Houston, TX: (281) 391-7283
- Kansas City, MO: (816) 524-9900
- Las Vegas, NV: (702) 221-2700
- New Orleans, LA: (985) 882-9111
- Phoenix, AZ: (602) 257-4588
- Sacramento/Winters, CA: (530) 795-4400
- St. Louis/Cape Girardeau, MO: (573) 332-8312

